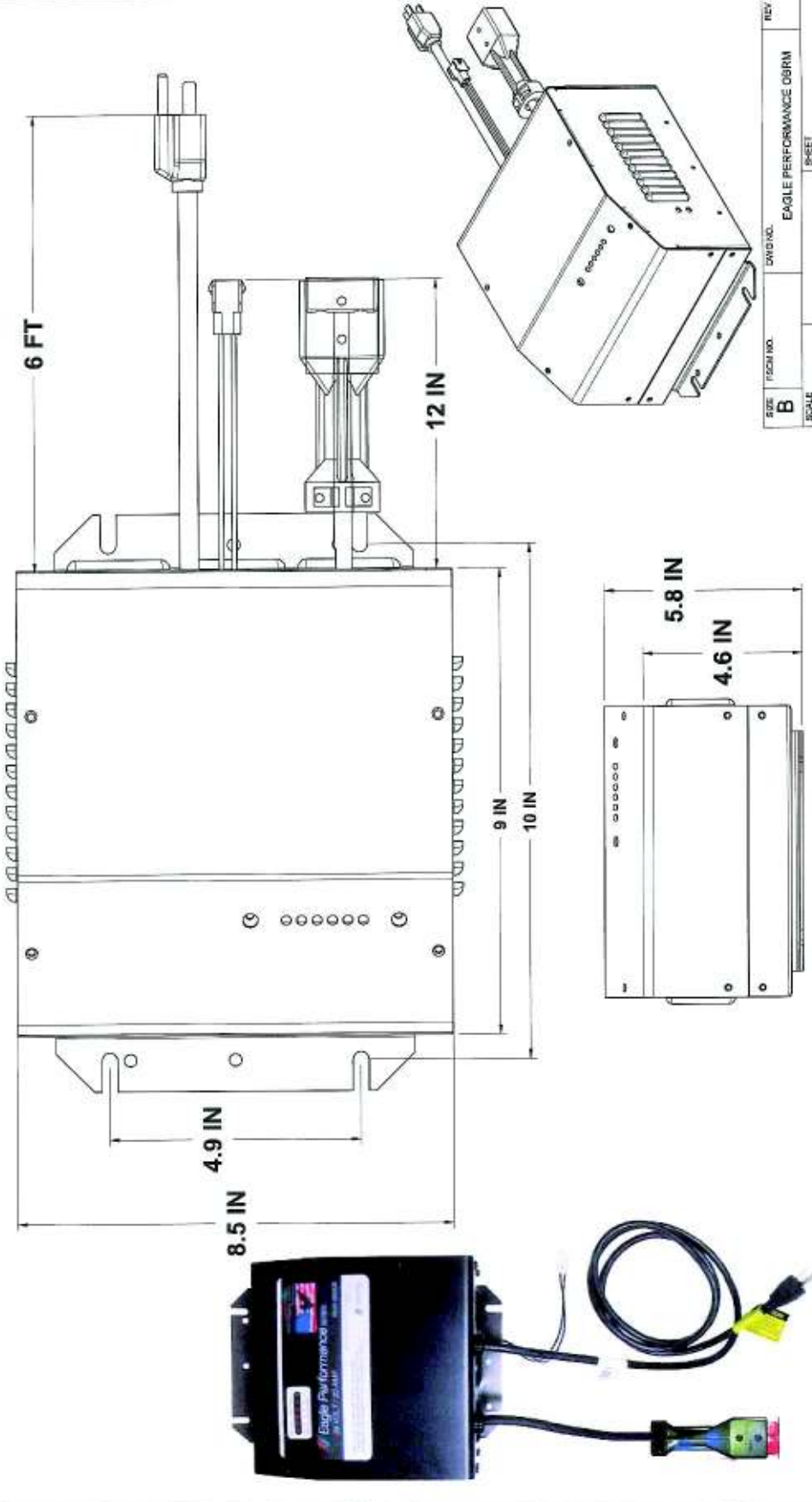


PRO Charging Systems  
 1851 Hill Country Blvd  
 Lawrence, TN 37088

**i2420OBRM / i2425OBRM / i4818OBRM**  
 JLG ES SERIES (GENERATION 1)

REVISIONS		DATE	APPROVED
ZONE	REV	DESCRIPTION	REFERENCE ONLY
	A		



SIZE	TECH NO.	DWG NO.	REV
B		EAGLE PERFORMANCE OBRM	
SCALE		SHEET	