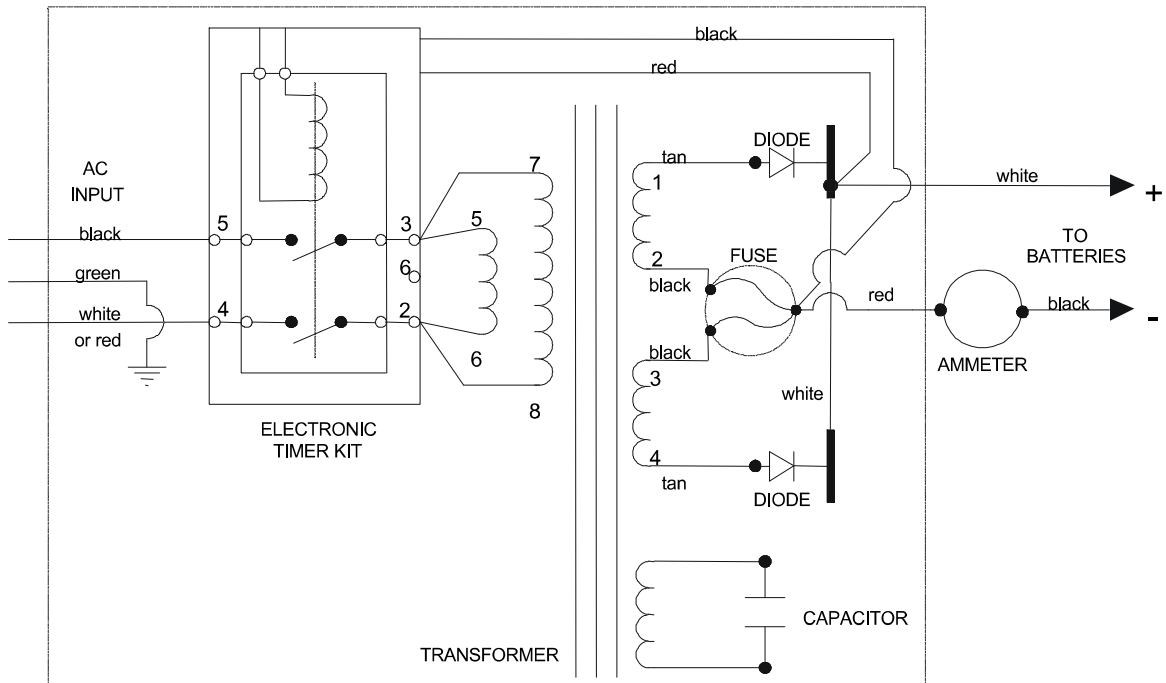


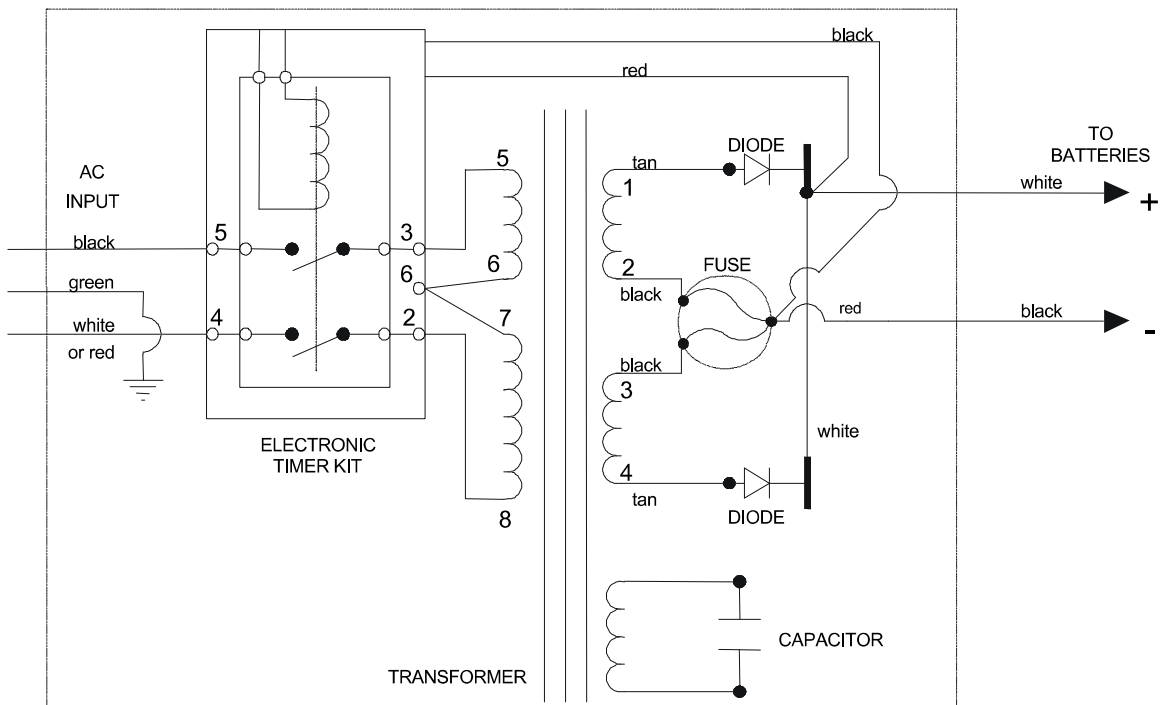
WIRING DIAGRAMS

FOR USE WITH 100-125 VAC INPUT



L2110B01

FOR USE WITH 200-250 VAC INPUT



L2200B02

**PARTS LIST FOR LESTRONIC II CHARGER
MODEL 12750 TYPE 24LC25-8ET
100-125/200-250 VAC / 50 HZ**

PART NO.	QTY.	DESCRIPTION
14807S	1	CASE ASSEMBLY
12745S	1	TRANSFORMER ASSEMBLY
16354S	1	HEATSINK ASSEMBLY, W/ DIODES
12975S	1	ELECTRONIC TIMER ASSEMBLY
02390S	1	CAPACITOR, 6.0 MFD, 660 VAC
02028S	1	BUSHING, 7W-2, INSULATOR FOR WIRE HARNESS
14797S	1	WIRING HARNESS
08776S	1	FUSE ASSEMBLY