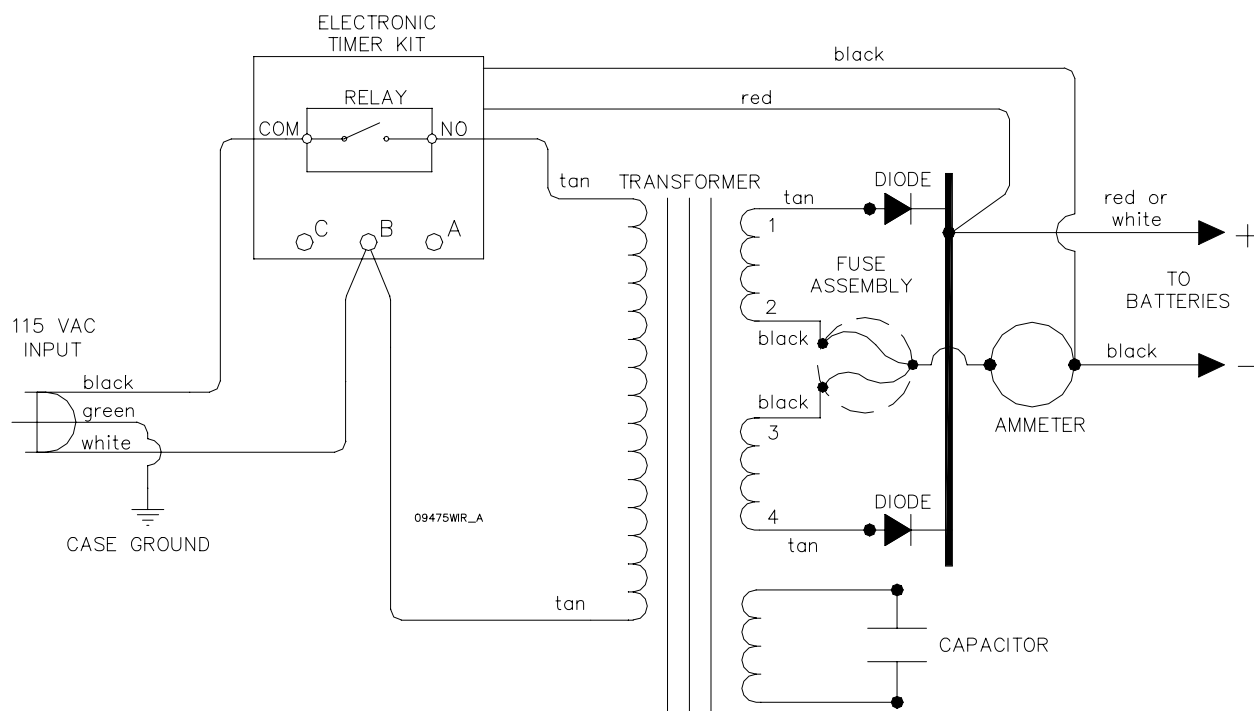




WIRING DIAGRAM



**PARTS LIST FOR LESTRONIC II CHARGER
MODEL 09475 TYPE 36LC40-8ET
115 VAC / 60 HZ**

PART NO.	QTY.	DESCRIPTION
09477S	1	CASE ASSEMBLY
09476S	1	TRANSFORMER ASSEMBLY
09041S	1	HEATSINK ASSEMBLY, W/ DIODES
08849S	2	DIODE ASSEMBLY
16823S	1	AMMETER
24840S	1	ELECTRONIC TIMER KIT
* 04484S	1	RELAY, FOR ELECTRONIC TIMER
** 23385S	1	RELAY, FOR ELECTRONIC TIMER
02390S	1	CAPACITOR, 6.0 MFD, 660 VAC
02008S	1	BUSHING, 8P-2, INSULATOR FOR DC CORD
02028S	1	BUSHING, 7W-2, INSULATOR FOR AC CORD
02506S	1	CORDSET, AC
33014S	1	CORDSET, AC, 14/3, 248", MOLDED PLUG
08511S	1	CORDSET, DC, NO PLUG
18771S	1	CORDSET, DC, W/ MOLDED PLUG, GRAY
08067S	1	CORDSET, DC, W/ LESTER PLUG
08069S	1	CORDSET, DC, W/ 50 AMP GRAY PLUG
08329S	1	CORDSET, DC, W/ 175 AMP GRAY PLUG
20331S	1	CORDSET, DC, W/ 175 AMP YELLOW PLUG
09434S	1	CORDSET, DC, W/ 350 AMP GRAY PLUG
08313S	1	PLUG ASSEMBLY, DC, 50 AMP ANDERSON PLUG
02957S	1	PLUG ASSEMBLY, DC, 175 AMP ANDERSON PLUG, GRAY
08774S	1	FUSE ASSEMBLY

** FOR USE WITH CHARGERS BUILT AFTER 04/04
* FOR USE WITH CHARGERS BUILT BEFORE 04/04