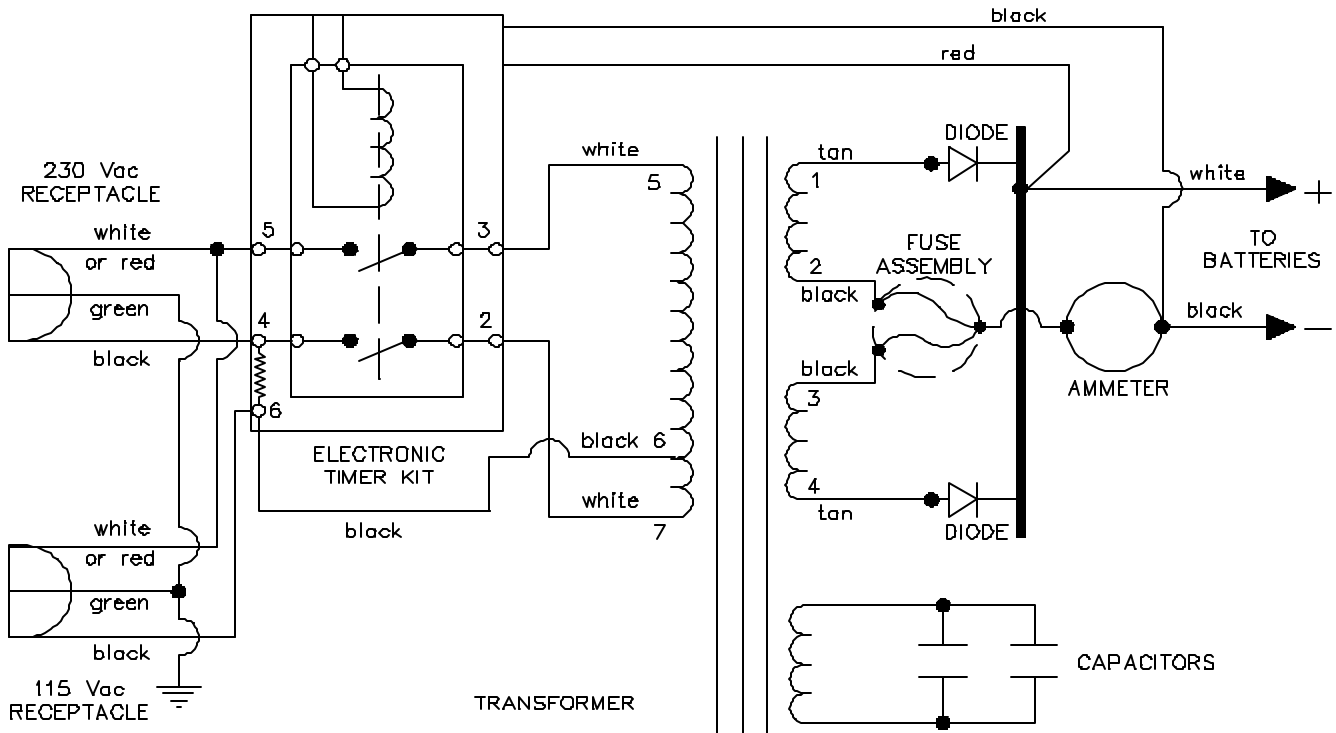


WIRING DIAGRAM



L2230B10

**PARTS LIST FOR LESTRONIC II CHARGER  
MODEL 09787 TYPE 72LC25-3ET  
115/230 VAC 60 HZ**

| PART NO. | QTY. | DESCRIPTION                             |
|----------|------|---|
| 09792S   | 1    | CASE ASSEMBLY                           |
| 09114S   | 1    | TRANSFORMER ASSEMBLY                    |
| 28072S   | 1    | HEATSINK ASSEMBLY, W/ DIODES            |
| 04127S   | 1    | AMMETER                                 |
| 15235S   | 1    | ELECTRONIC TIMER ASSEMBLY               |
| 02390S   | 2    | CAPACITOR, 6.0 MFD, 660 VAC             |
| 02008S   | 1    | BUSHING, 8P-2, INSULATOR FOR DC CORD    |
| 03168S   | 1    | CORDSET, AC, EXTENSION, 115 VAC         |
| 03743S   | 1    | CORDSET, AC, EXTENSION, 230 VAC         |
| 04328S   | 1    | MOTOR BASE RECEPTACLE, AC, 115V         |
| 03742S   | 1    | MOTOR BASE RECEPTACLE, AC, 230V         |
| 09788S   | 1    | CORDSET, DC, NO PLUG, 12/2, 45"         |
| 21893S   | 1    | CORDSET, DC, NO PLUG, 12/2, 108"        |
| 08607S   | 1    | CORDSET, DC, W/ 50 AMP ANDERSON PLUG    |
| 08313S   | 1    | PLUG ASSEMBLY, DC, 50 AMP ANDERSON PLUG |
| 08776S   | 1    | FUSE ASSEMBLY                           |