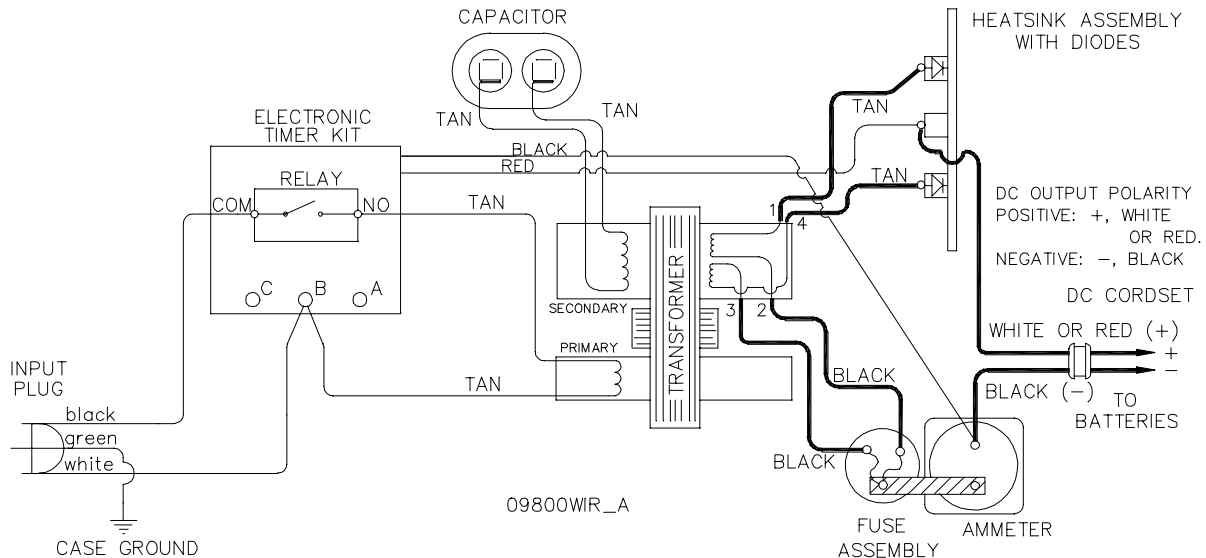




WIRING DIAGRAM



PARTS LIST FOR LESTRONIC II CHARGER MODEL 09800 TYPE 24LC20-8ET 115 VAC / 60 HZ

| PART NO. | QTY. | DESCRIPTION |
|-----------|------|---|
| 03651S | 1 | CASE ASSEMBLY |
| 09801S | 1 | TRANSFORMER ASSEMBLY |
| 16354S | 1 | HEATSINK ASSEMBLY, W/ DIODES |
| 04127S | 1 | AMMETER |
| 24800S | 1 | ELECTRONIC TIMER ASSEMBLY |
| * 04483S | 1 | RELAY, FOR ELECTRONIC TIMER |
| ** 23385S | 1 | RELAY, FOR ELECTRONIC TIMER |
| 02390S | 1 | CAPACITOR, 6.0 MFD, 660 VAC |
| 08776S | 1 | FUSE ASSEMBLY |
| 02028S | 2 | BUSHING, 7W-2, INSULATOR FOR CORDSETS |
| 02506S | 1 | CORDSET, AC |
| 08512S | 1 | CORDSET, DC, NO PLUG |
| 14973S | 1 | CORDSET, DC, W/ SILICONE PLUG |
| 08020S | 1 | CORDSET, DC, W/ LESTER PLUG |
| 08607S | 1 | CORDSET, DC, W/ 50 AMP ANDERSON PLUG, GRAY |
| 12227S | 1 | CORDSET, DC, W/ 50 AMP ANDERSON PLUG, RED |
| 08224S | 1 | CORDSET, DC, W/ 175 AMP ANDERSON PLUG |
| 08313S | 1 | PLUG ASSEMBLY, DC, 50 AMP ANDERSON PLUG, GRAY |
| 04087S | 1 | PLUG ASSEMBLY, DC, 50 AMP ANDERSON PLUG, RED |
| 02957S | 1 | PLUG ASSEMBLY, DC, 175 AMP ANDERSON PLUG |

* FOR USE WITH CHARGERS BUILT BEFORE 39/03

** FOR USE WITH CHARGERS BUILT AFTER 39/03