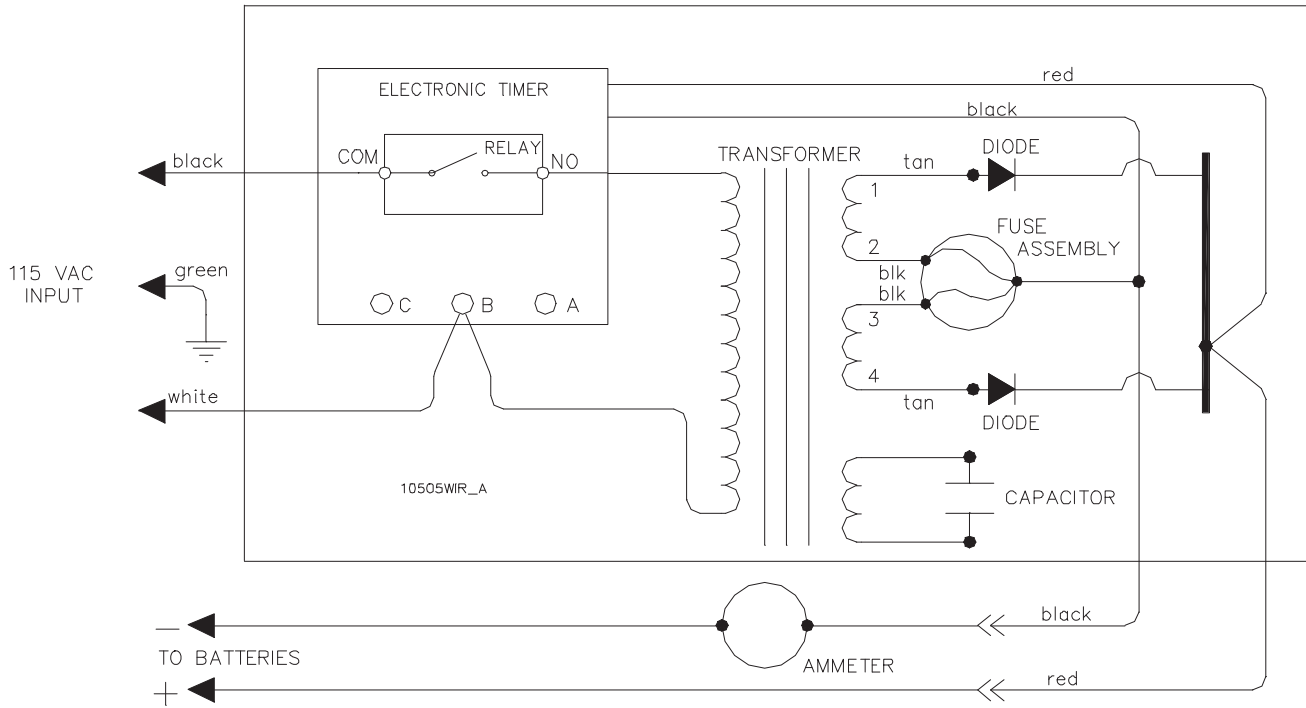


WIRING DIAGRAM



PARTS LIST FOR LESTRONIC II CHARGER
TAYLOR-DUNN NO. 79-301-05
MODEL 10505 TYPE 24LC25-8ET
115 VAC / 60 HZ

LESTER PART NO.	TAYLOR DUNN PART NO.	QTY.	DESCRIPTION
10627S		1	CASE ASSEMBLY
10585S		1	TRANSFORMER ASSEMBLY
	79-749-13	1	HEATSINK ASSEMBLY, W/ DIODES
	79-805-74	1	ELECTRONIC TIMER ASSEMBLY
	79-902-00	1	CAPACITOR, 6.0 MFD, 660 VAC
	79-530-00	1	BUSHING, 7W-2, INSULATOR
10623S		1	WIRE HARNESS
	79-831-00	1	FUSE ASSEMBLY
* 04483S		1	RELAY, FOR ELECTRONIC TIMER
** 23385S		1	RELAY, FOR ELECTRONIC TIMER

* FOR USE WITH CHARGERS BUILT BEFORE 39/03
 ** FOR USE WITH CHARGERS BUILT AFTER 39/03