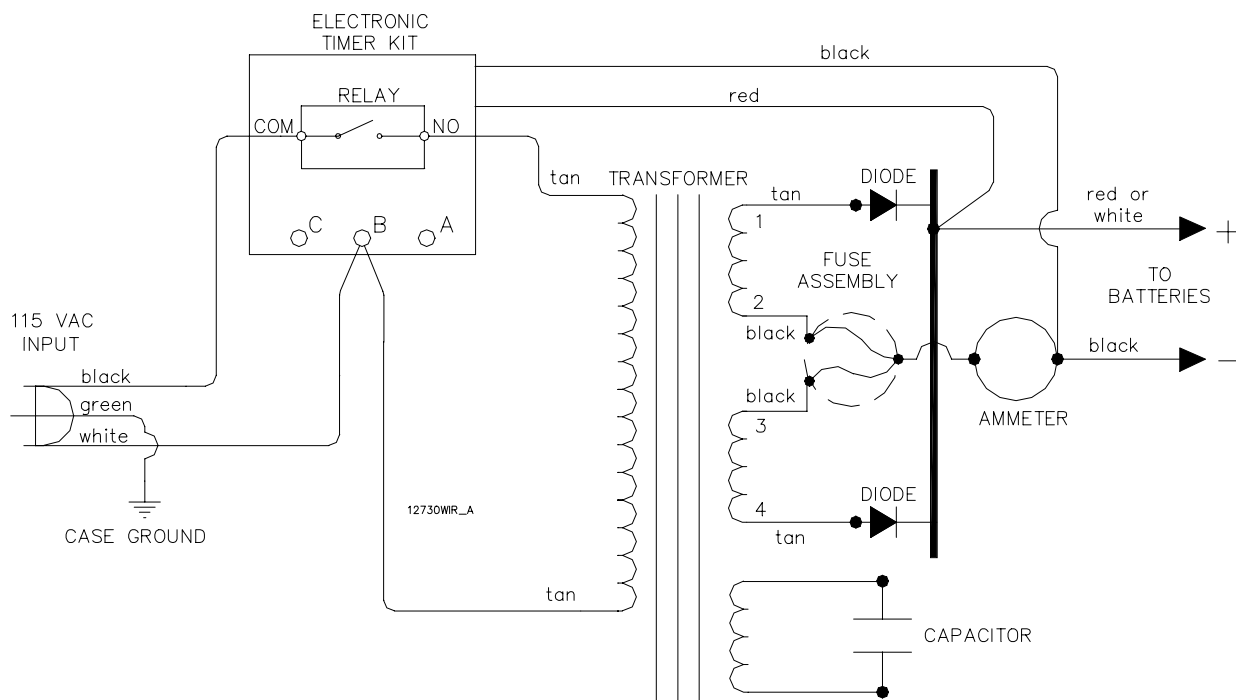




FORM 00975
REVISION D

WIRING DIAGRAM



**PARTS LIST FOR LESTRONIC II CHARGER
CUSHMAN NO. 888062
MODEL 12730 TYPE 36LC25-8ET
115 VAC / 60 HZ**

CUSHMAN PART NO.	LESTER PART NO.	QTY.	DESCRIPTION
	14847S	1	CASE ASSEMBLY
	12765S	1	TRANSFORMER ASSEMBLY
883215	16354S	1	HEATSINK ASSEMBLY, W/ DIODES
826723	04127S	1	AMMETER
	24840S	1	ELECTRONIC TIMER KIT
	* 04484S	1	RELAY, FOR ELECTRONIC TIMER
	** 23385S	1	RELAY, FOR ELECTRONIC TIMER
823749	02390S	1	CAPACITOR, 6.0 MFD, 660 VAC
822048	02028S	2	BUSHING, 7W-2, INSULATOR FOR CORDSETS
883216	03574S	1	CORDSET, AC, W/ MOLDED PLUG
884256	08993S	1	CORDSET, DC, #12 AWG, 22", NO PLUG
883844	08776S	1	FUSE ASSEMBLY

* FOR USE WITH CHARGERS BUILT BEFORE 04/04

** FOR USE WITH CHARGERS BUILT AFTER 04/04