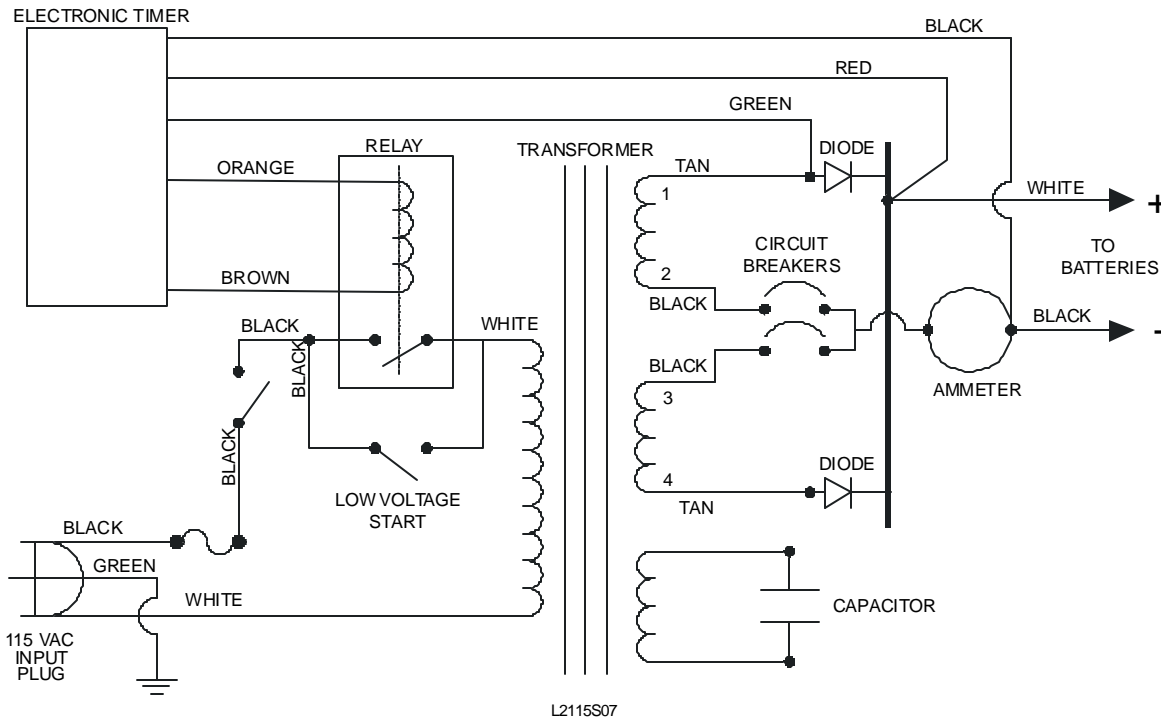


WIRING DIAGRAM



PARTS LIST FOR LESTRONIC II CHARGER
MODEL 13810 TYPE 12LC20-4ET
115 VAC / 60 HZ

PART NO.	DESCRIPTION
16573S	CASE ASSEMBLY
09464S	TRANSFORMER ASSEMBLY
16354S	HEATSINK ASSEMBLY, W/ DIODES
15443S	AMMETER
11355S	ELECTRONIC TIMER ASSEMBLY
04142S	CAPACITOR, 3.0 MFD, 660 VAC
15488S	BUSHING, SR-5KN-4, INSULATOR FOR AC CORD
02028S	BUSHING, 7W-2, INSULATOR FOR DC CORD
16571S	CORDSET, AC
08020S	CORDSET, DC, W/ LESTER PLUG
14973S	CORDSET, DC, W/ SILICONE PLUG
08607S	CORDSET, DC, W/ SB50 AMP GRAY PLUG
12227S	CORDSET, DC, W/ SB50 AMP RED PLUG
05803S	CORDSET, DC, W/ ALLIGATOR CLIPS
25328S	CORDSET, DC, W/ SB175 AMP YELLOW PLUG
16567S	SWITCH ASSEMBLY
19724S	CIRCUIT BREAKER, 30 AMP
05468S	SWITCH, ROCKER, LOW VOLTAGE START
15446S	RELAY, 12V, 10 AMP, SPST
10375S	FUSEHOLDER, BUSSMAN
15554S	FUSE, 5 AMP, MDA-5

This charger must be connected to an appropriate outlet that is properly installed and grounded.

⚠ DANGER! IMPROPER GROUNDING OF THIS CHARGER CAN RESULT IN A RISK OF ELECTRIC SHOCK. DO NOT USE THIS CHARGER IN WET OR DAMP LOCATIONS.

