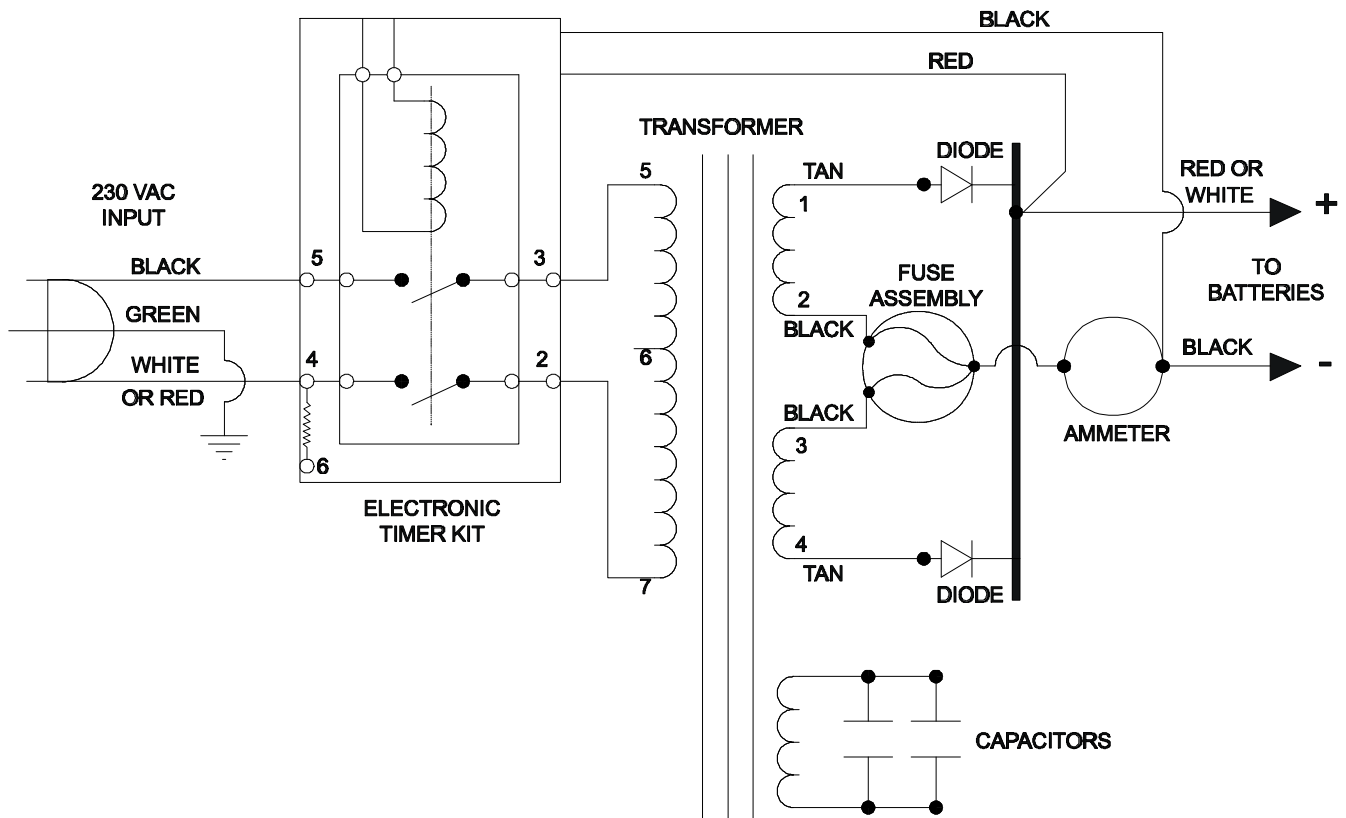


WIRING DIAGRAM



L2230B25

**PARTS LIST FOR LESTRONIC II CHARGER
TAYLOR DUNN PART NO. 79-315-00
MODEL 16340 TYPE 72LC25-3ET
230 VAC / 60 HZ**

PART NO.	QTY.	DESCRIPTION
20793S	1	CASE ASSEMBLY
09114S	1	TRANSFORMER ASSEMBLY
02390S	2	CAPACITOR, 6.0 MFD, 660 VAC
28072S	1	HEATSINK ASSEMBLY W/ DIODES
08776S	1	FUSE ASSEMBLY
16369S	1	AMMETER
15235S	1	ELECTRONIC TIMER ASSEMBLY
02008S	1	BUSHING, 8P-2, INSULATOR FOR DC CORD
02028S	1	BUSHING, 7W-2, INSULATOR FOR AC CORD
20791S	1	CORDSET, DC, NO PLUG, 12/2, 52"
20792S	1	CORDSET, AC, 230/15 PLUG, 14/3, 200"
21116S	1	CORDSET, AC, 14/3, 200", NO PLUG