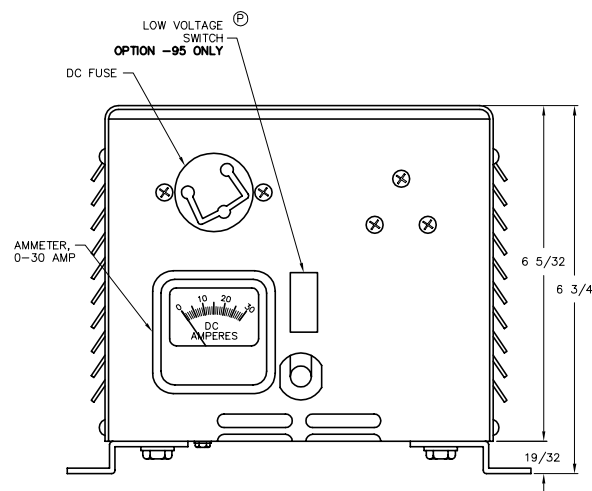
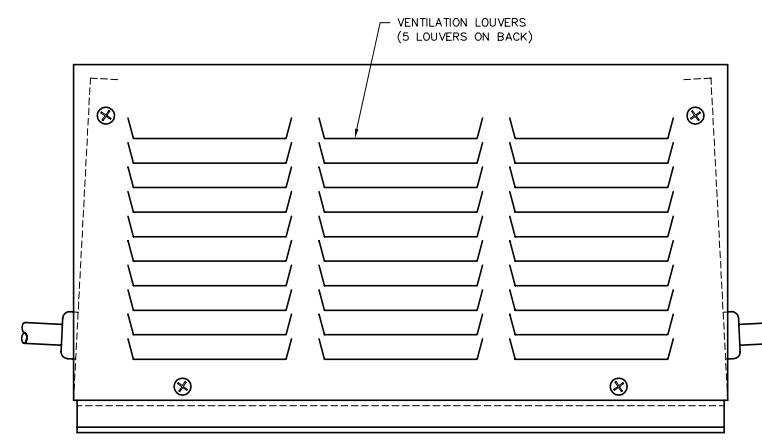
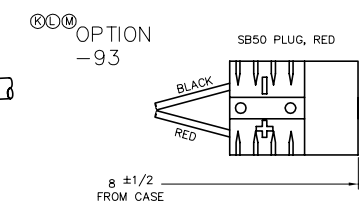
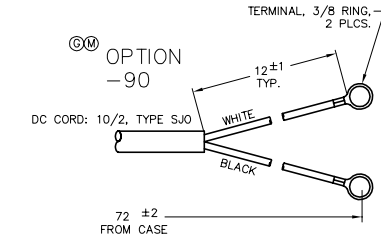
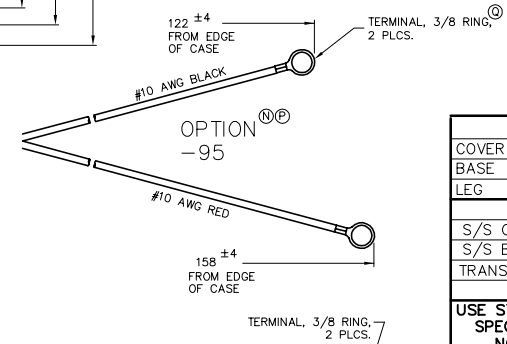
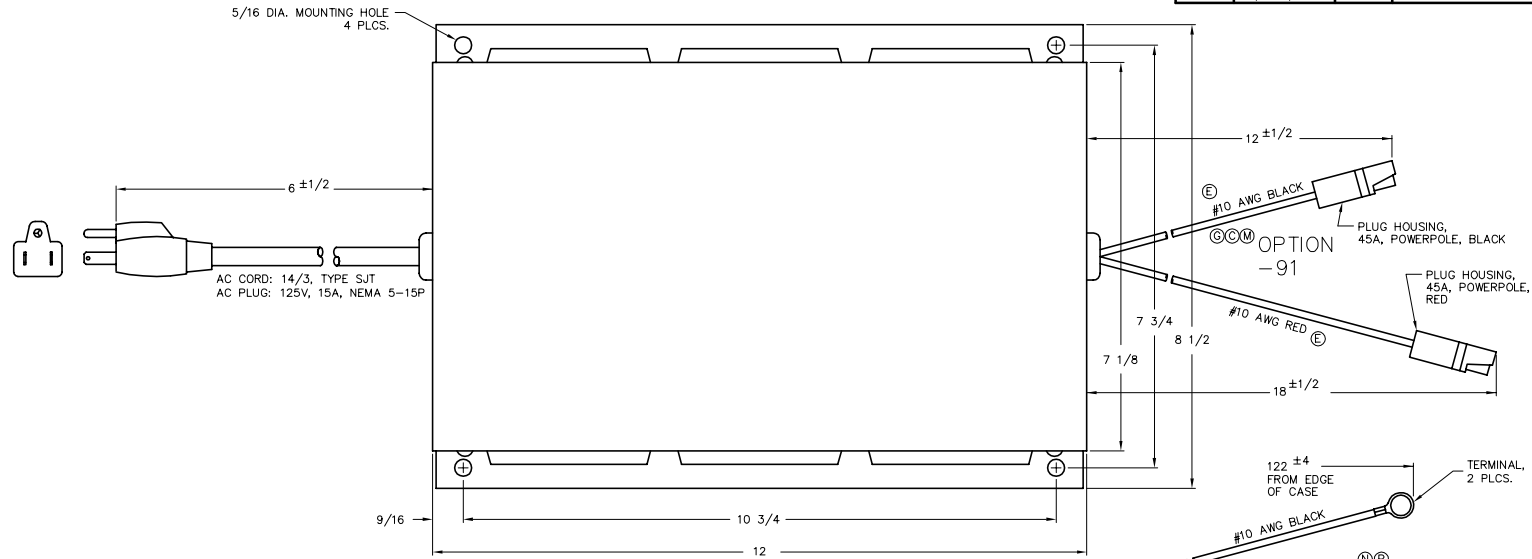


| REV | DATE    | ECO  | REVISION RECORD                    | BY  | APR |
|-----|---------|------|------------------------------------|-----|-----|
| P   | 3/12/01 | 5657 | DELETE OPTION -94, ADD OPTION -95  | MVM |     |
| Q   | 3/28/01 | -    | ADD "3/8 RING" (ERROR)             | MVM |     |
| R   | 10/7/02 | 5779 | DELETE "SERIAL NO" (BASE SS)       | MVM |     |
| T   | 8/13/09 | 6689 | REMOVE PATENT NUMBERS (SHT. 2 & 3) | KAW |     |



|       | COLOR | MAT.  |
|-------|-------|-------|
| COVER | NONE  | ALUM. |
| BASE  | NONE  | ALUM. |
| LEG   | NONE  | ALUM. |

| JIGS        |         |  |
|-------------|---------|--|
| S/S COVER   | REGULAR |  |
| S/S BASE    | REGULAR |  |
| TRANS. MTG. | T01191  |  |

USE STANDARD TORQUE SPECS. EXCEPT AS NOTED BELOW

NONE

USE STANDARD ASSEMBLY PROCEDURES EXCEPT AS NOTED BELOW

NONE

AGENCY CERTIFICATION  
RU, cRU

INSPECTIONS  
USE STANDARD INSPECTION

TESTS  
ELECTRICAL SAFETY  
HIPOT: CU1

GROUND, CONTINUITY  
PERFORMANCE TESTS

PRECISION MASTER #19740  
WIRING MASTER #19740

PROJECT ENGR JJJ  
ITEMS SHIPPED LOOSE  
NONE

|                                 |   |                 |                         |
|---------------------------------|---|-----------------|-------------------------|
| TOLERANCES<br>(EXCEPT AS NOTED) | LESTER ELECTRICAL OF NEBRASKA, INC.<br>625 West A St, LINCOLN, NE 68522 |                 |                         |
| DECIMAL:                        | DESIGNED BY   | SCALE<br>NONE   | DRAWN BY<br>EKR         |
| FRACTIONAL: ±1/16               | TITLE<br>CHARGER ASSEMBLY   |                 |                         |
| ANGULAR:                        | SHEET<br>1 OF 5   | DATE<br>3/12/01 | DRAWING NUMBER<br>19740 |
|                                 |   |                 | REV.<br>T               |

THIS DOCUMENT AND THE INFORMATION CONTAINED HEREIN ARE THE PROPERTY OF  
**CONFIDENTIAL:** LESTER ELECTRICAL. ITS CONTENT SHALL NOT BE REPRODUCED, RECORDED, DISCLOSED  
OR USED IN ANY MANNER EXCEPT AS EXPRESSLY AUTHORIZED BY LESTER ELECTRICAL.