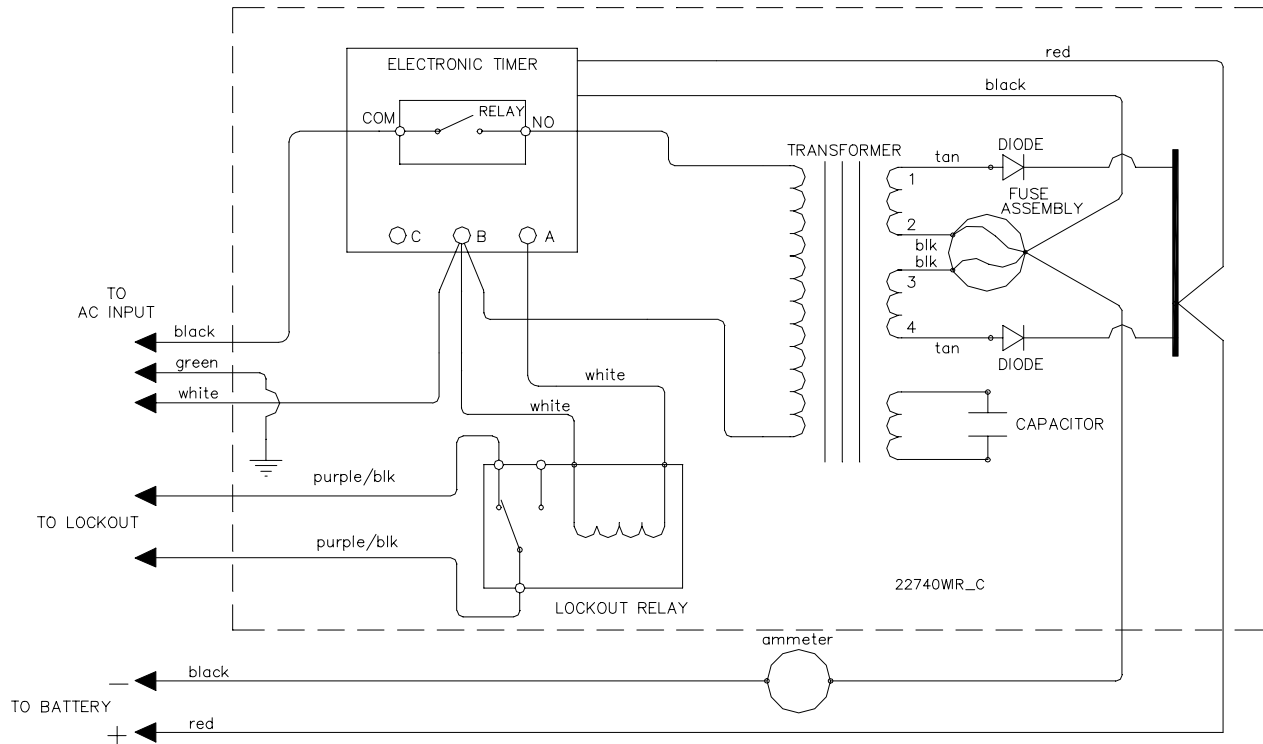




WIRING DIAGRAM



**PARTS LIST FOR LESTRONIC II CHARGER
TAYLOR DUNN NO. 79-303-15
MODEL 22740 TYPE 36LC25-8ET
115 VAC / 60 HZ**

LESTER PART NO.	TAYLOR DUNN PART NO.	QTY.	DESCRIPTION
32003S		1	CASE ASSEMBLY
	79-644-31	1	TRANSFORMER ASSEMBLY
	79-749-13	1	HEATSINK ASSEMBLY, W/ DIODES
24840S	79-805-76	1	ELECTRONIC TIMER ASSEMBLY
* 21238S		1	RELAY, FOR ELECTRONIC TIMER
** 23385S		1	RELAY, FOR ELECTRONIC TIMER
	79-902-00	1	CAPACITOR, 6.0 MFD, 660 VAC
	79-530-00	1	BUSHING, 7W-2, INSULATOR FOR HARNESS
31986S		1	WIRE HARNESS
	79-831-00	1	FUSE ASSEMBLY
31798S		1	RELAY, KIT, LOCKOUT

* FOR USE WITH CHARGERS BUILT BEFORE 04/04
** FOR USE WITH CHARGERS BUILT AFTER 04/04